

Nelplas Wall Protection Systems

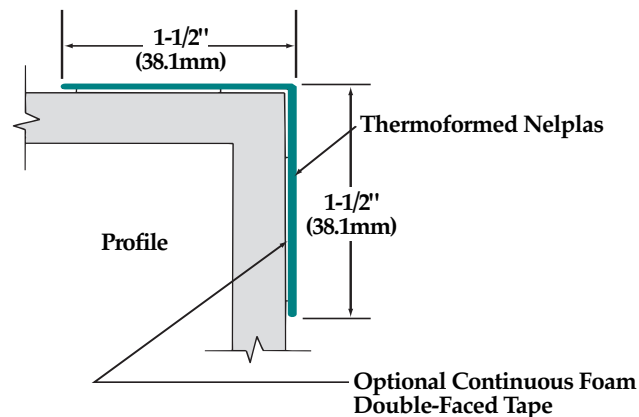
Nelplas® Thermoformed Corner Guards



Unique thermoforming capabilities provide form-fitting, easy-to-install corner guards at an economical cost. **NELPLAS** Thermoformed Corner Guards install easily with double-faced tape or contact cement and are available in a variety of widths, lengths, and gauges. All corners are formed with an acrylic/PVC base with excellent cleanability and impact resistance.

NELPLAS Thermoformed Corner Guards are backed by a limited five-year warranty. All Corner Guards are Class I/A fire rated and meet national building code standards. All **NELPLAS** protective products color coordinate with a multitude of **NELPLAS**® Wallcoverings for a systems approach to wall protection.

For more information on **NELPLAS** Coordinating Design and Thermoformed Corner Guards or the **NELPLAS** Wall Protection System, please call your local **NELPLAS** distributor or 800-628-0449.



T515

Product Guide Specification

SECTION 10 26 00 CORNER GUARDS

PART 1 GENERAL

1.01 SECTION INCLUDES

Thermoformed Corner Guards.

1.02 SUBMITTALS

- A. Comply with requirements of Section 01 33 00 - Submittals.
- B. Product Data: Submit manufacturer's product data.
- C. Samples: Submit 12" (304.8mm) long sample of each type, thickness, size, and color to be installed for Architect's approval.

1.03 DELIVERY, STORAGE, AND HANDLING

- A. Delivery: Deliver materials to site in manufacturer's original, unopened containers and packaging with labels clearly indicating manufacturer and material.
- B. Storage: Store materials indoors in a clean, dry area protected from damage and in accordance with manufacturer's instructions.
- C. Handling: Protect materials during handling and installation to prevent damage.

1.04 ENVIRONMENTAL REQUIREMENTS

- A. Maintain constant minimum air temperature of 65°F for a minimum of 48 hours before and during installation.
- B. Maintain wall and door surface temperature between 65°F and 85°F during installation.
- C. Do not install if relative humidity is greater than 80%.

PART 2 PRODUCTS

2.01 MANUFACTURER

Nelplas Wall Protection Systems.
A Division of RJF International Corporation

2.02 CORNER GUARD SYSTEMS

Nelplas Thermoformed Corner Guards: Rigid high-impact acrylic/polyvinyl chloride (PVC) thermoformed corner guards.

1. Fire Rating: [Class I/A] [Class II/B].
2. Thickness: [0.040" (1.02mm)] [0.060" (1.52mm)] [0.080" (2.03mm)] [0.125" (3.18mm)].
3. Width: [1" x 1" (25.4mm x 25.4mm)] [1-1/2" x 1-1/2" (38.1mm x 38.1mm)] [2" x 2" (50.8mm x 50.8mm)] [3" x 3" (76.2mm x 76.2mm)].
4. Height: _____.
5. Edges: [Square] [Beveled].
6. Backing: [Continuous adhesive backing] [Unbacked].
7. Color: Color to be selected by Architect from manufacturer's standard colors.

2.03 ADHESIVES

Furnish adhesives approved by wall and door protection manufacturer.

PART 3 EXECUTION

3.01 EXAMINATION

Inspect surfaces to receive wall and door protection. Notify the Architect in writing if wall surfaces are not acceptable. Do not begin installation until unacceptable conditions have been corrected.

3.02 SURFACE PREPARATION

Prepare walls in accordance with manufacturer's written instructions.

3.03 INSTALLATION

- A. Install wall and door protection in accordance with manufacturer's written instructions.
- B. Allow wall and door protection and adhesives to precondition for a minimum of 24 hours at a temperature between 65°F and 85°F before installation.
- C. Install wall and door protection plumb and at height as indicated on the drawings, with surfaces free from distortion.

3.04 CLEANING

- A. Clean wall and door protection in accordance with manufacturer's instructions.
- B. Remove excess adhesive.

NELPLAS[®]
Wall Protection Systems

800-628-0449 • www.nelplas.com • Division 10 26 00

© is a registered trademark of RJF International Corporation.