

Nelplas Wall Protection Systems

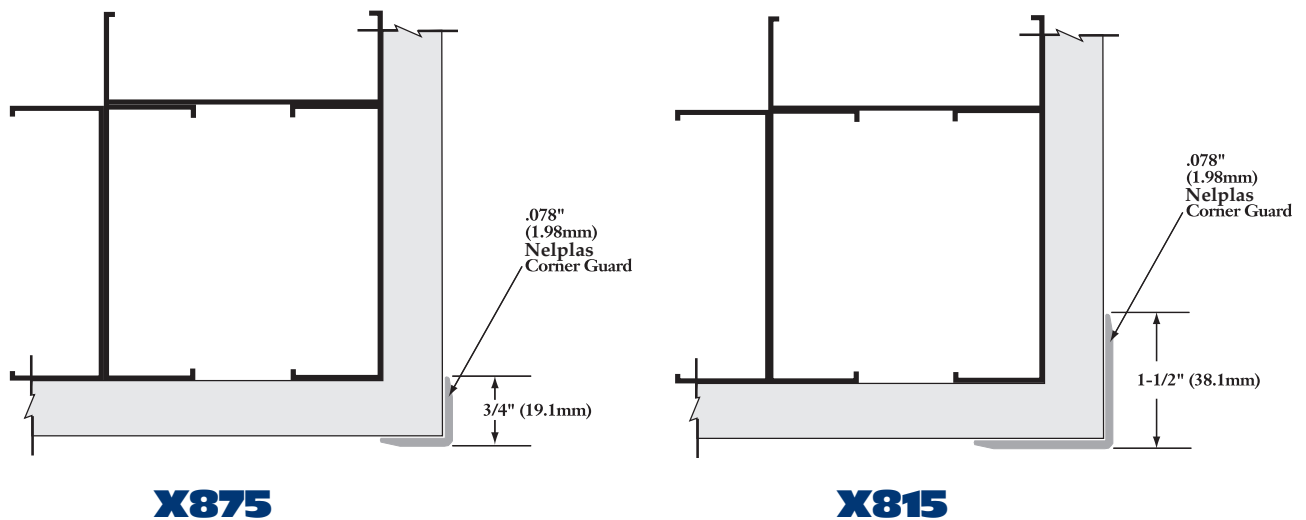
Nelplas® Extruded Corner Guards



NELPLAS Extruded Corner Guards are an economical yet durable option for corner protection. Easily installed, these guards are .078" (1.98mm) thick vinyl with either 3/4" (19.1mm) or 1-1/2" (38.1mm) wings. The wings are tapered back, providing a finished look to any installation.

NELPLAS Extruded Corner Guards are backed by a limited five-year warranty. All Corner Guards are Class I/A fire rated and meet national building code standards. All **NELPLAS** protective products color-coordinate with a multitude of **NELPLAS**® Wallcoverings for a systems approach to wall protection.

For more information on **NELPLAS** Extruded Corner Guards or the **NELPLAS** Wall Protection System, please call your local **NELPLAS** distributor or 800-628-0449.



X875

X815

Product Guide Specification

SECTION 10 26 00 CORNER GUARDS

PART 1 GENERAL

1.01 SECTION INCLUDES

1-1/2" x 1-1/2" (38.1mm x 38.1mm) and 3/4" x 3/4" (19.1mm x 19.1mm) Adhered Extruded Corner Guards.

1.02 SUBMITTALS

- A. Submit in accordance with Section 01 33 00 - Submittals.
- B. Product Data: Submit manufacturer's product data.
- C. Samples: Submit for approval 12" (304.8mm) long sample of each color specified.
- D. Test Reports: Submit manufacturer's test reports and certification indicating compliance with applicable building code requirements.

1.03 QUALITY ASSURANCE

Comply with NFPA 101® for interior finish materials. Smoke developed less than 450 and flame spread of 25 or less in accordance with ASTM E 84.

1.04 DELIVERY, STORAGE, AND HANDLING

- A. Delivery: Deliver materials to site in manufacturer's original, unopened containers and packaging with labels clearly identifying product name and manufacturer.
- B. Storage: Store materials in a clean, dry location protected against damage of any kind.

PART 2 PRODUCTS

2.01 MANUFACTURER

Nelplas Wall Protection Systems.
A Division of RJF International Corporation

2.02 CORNER GUARDS

Nelplas X815, X875, X915 Extruded Corner Guard adhered to substrate corner with glue or tape.

Exposed surfaces shall be free of wrinkling, chipping, discoloration, or other imperfections.

1. Dimensions

- a. Leg length: 3/4" (19.1mm)—X8785;
1-1/2" (38.1mm)—X815 and X915.
- b. Angle: 90°.

2. Profile: High-impact vinyl acrylic extrusion, nominal .078" (1.98mm) thick. Class I fire rating, when tested in accordance with ASTM E 84.

3. Extrusion: Pebble grain finish. Contains EPA registered Micro-Chek antimicrobial agent.

4. Adhesion: Manufacturer recommended contact cement—X815 and X875; Manufacturer applied adhesive-backed tape—X915.

PART 3 EXECUTION

3.01 EXAMINATION

Verify by examination that wall surfaces are acceptable to receive the specified guard systems. Notify the Architect in writing if wall surfaces are not acceptable. Do not begin installation until unacceptable conditions have been corrected.

3.02 INSTALLATION

- A. Install Corner Guards to wall securely in accordance with manufacturer's written instructions.
- B. Install Corner Guards accurately in location, alignment, and elevation.

NELPLAS®
Wall Protection Systems

800-628-0449 • www.nelplas.com • Division 10 26 00

® is a registered trademark of RJF International Corporation.

NFPA 101® is a registered trademark of the National Fire Protection Association