

Nelplas Wall Protection Systems

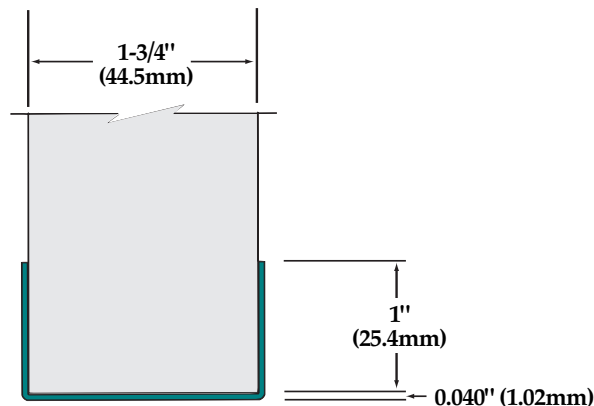
Nelplas® Door Edge Guards



NELPLAS Door Edge Guards provide door edges with unmatched protection against abuse from heavy carts, gurneys, and other equipment. **NELPLAS** Door Edge Guards are typically produced as 1" x 1-3/4" x 1" (25.4mm x 44.5mm x 25.4mm) in lengths up to and including 96" (2.43m). They can also be custom-made to meet your specific requirements. **NELPLAS** Door Edge Guards are available in all standard **NELPLAS** colors and thicknesses.

NELPLAS Door Edge Guards are backed by a limited five-year warranty. They are chemical- and stain-resistant to prevent discoloration and surface damage. Door Edge Guards are fire rated for Surface Burning Characteristics as classified by Underwriters Laboratories, Inc. and meet national building code standards. All **NELPLAS** protective products color-coordinate with a multitude of **NELPLAS**® Wallcoverings for a systems approach to wall protection.

For more information on **NELPLAS** Door Edge Guards or the **NELPLAS** Wall Protection System, please call your local **NELPLAS** distributor or 800-628-0449.



U400

Product Guide Specification

SECTION 10 26 00 WALL AND DOOR PROTECTION

PART 1 GENERAL

1.01 SECTION INCLUDES

Thermoformed Door Edge Guards.

1.02 SUBMITTALS

- A. Comply with requirements of Section 01 33 00 - Submittals.
- B. Product Data: Submit manufacturer's product data.
- C. Samples: Submit 12" (304.8mm) long sample of each type, thickness, size, and color to be installed for Architect's approval.

1.03 DELIVERY, STORAGE, AND HANDLING

- A. Delivery: Deliver materials to site in manufacturer's original, unopened containers and packaging with labels clearly indicating manufacturer and material.
- B. Storage: Store materials indoors in a clean, dry area protected from damage and in accordance with manufacturer's instructions.
- C. Handling: Protect materials during handling and installation to prevent damage.

1.04 ENVIRONMENTAL REQUIREMENTS

- A. Maintain constant minimum air temperature of 65°F for a minimum of 48 hours before and during installation.
- B. Maintain wall and door surface temperature between 65°F and 85°F during installation.
- C. Do not install if relative humidity is greater than 80%.

PART 2 PRODUCTS

2.01 MANUFACTURER

Nelplas Wall Protection Systems.
A Division of RJF International Corporation

2.02 WALL AND DOOR PROTECTION

Nelplas Thermoformed Door Edge Guards:
Rigid high-impact acrylic/polyvinyl chloride (PVC) Thermoformed Door Edge Protectors.

1. Fire Rating: [Class I/A] [Class II/B].
2. Thickness: [0.040" (1.02mm)] [0.060" (1.52mm)].
3. Shape: [L-Shaped] [U-Shaped].
4. Width: _____.
5. Height: _____.
6. Door Thickness: _____.
7. Edges: [Square] [Beveled].
8. Backing: [Continuous adhesive backing] [Unbacked].
9. Color: Color to be selected by Architect from manufacturer's standard colors.

2.03 ADHESIVES

Furnish adhesives approved by wall and door protection manufacturer.

PART 3 EXECUTION

3.01 EXAMINATION

Inspect surfaces to receive wall and door protection. Notify the Architect in writing if wall surfaces are not acceptable. Do not begin installation until unacceptable conditions have been corrected.

3.02 SURFACE PREPARATION

Prepare surfaces in accordance with manufacturer's written instructions.

3.03 INSTALLATION

- A. Install wall and door protection in accordance with manufacturer's written instructions.
- B. Allow wall and door protection and adhesives to precondition for a minimum of 24 hours at a temperature between 65°F and 85°F before installation.
- C. Install wall and door protection plumb and at height as indicated on the drawings, with surfaces free from distortion.

3.04 CLEANING

- A. Clean wall and door protection in accordance with manufacturer's instructions.
- B. Remove excess adhesive.

NELPLAS[®]
Wall Protection Systems

800-628-0449 • www.nelplas.com • Division 10 26 00