

Nelplas Wall Protection Systems

Nelplas® ARN20-Series

Surface-Mounted Corner Guards



NELPLAS ARN20-Series Corner Guards consist of a formidable 3" (76.2mm) vinyl 1/4" (6.35mm) radius cover mounted over a continuous aluminum retainer. **NELPLAS** Corner Guards are an attractive and durable solution to unsightly, damaged corners. ARN20-Series Surface-Mounted Corner Guards provide support in medium- to high-impact areas. The ARN20-135 Model is available for 135° angle corners.

NELPLAS ARN20-Series Corner Guards are backed by a limited five-year warranty. All Corner Guards are Class I/A fire rated and meet national building code standards.

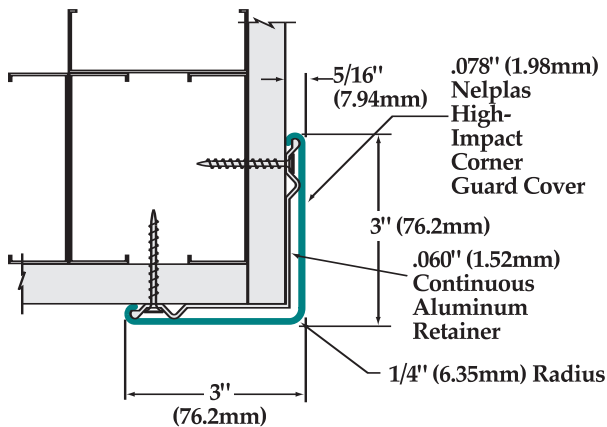
For more information on **NELPLAS** Corner Guards or the **NELPLAS** Wall Protection System, please call your local **NELPLAS** distributor or 800-628-0449.

ARN20 SERIES

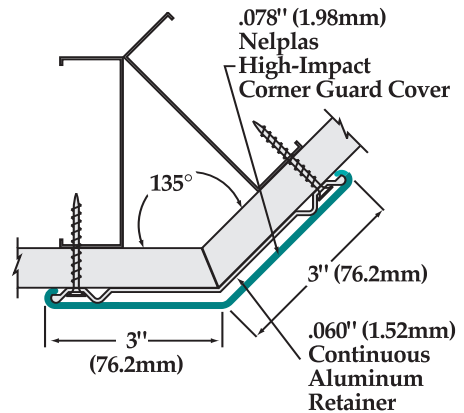
- ARN20 E
- ARN20 C

ACCESSORY ITEMS

- Standard End Cap
- 135° End Cap



ARN20



ARN20-135

Product Guide Specification

SECTION 10 26 00 CORNER GUARDS

PART 1 GENERAL

1.01 SECTION INCLUDES

3" x 3" (76.2mm x 76.2mm) Corner Guards.

1.02 SUBMITTALS

- A. Comply with requirements of Section 01 33 00 - Submittals.
- B. Product Data: Submit manufacturer's product data.
- C. Shop Drawings: Submit shop drawings showing components, dimensions, and anchorage details.
- D. Samples: Submit 12" (304.8mm) long sample of each model and color specified, including end caps, for Architect's approval.
- E. Certification: Submit manufacturer's certification indicating compliance with ADA requirements.

1.03 QUALITY ASSURANCE

Comply with NFPA 101® for interior finish materials. Smoke developed less than 450 and flame spread of 25 or less in accordance with ASTM E 84.

1.04 DELIVERY, STORAGE, AND HANDLING

- A. Delivery: Deliver materials to site in manufacturer's original, unopened containers and packaging with labels clearly indicating manufacturer and material.
- B. Storage: Store materials indoors in a clean, dry area protected from damage and in accordance with manufacturer's instructions.
- C. Handling: Protect materials during handling and installation to prevent damage.

PART 2 PRODUCTS

2.01 MANUFACTURER

Nelplas Wall Protection Systems.
A Division of RJF International Corporation

2.02 CORNER GUARD SYSTEMS

Nelplas ARN20-Series Corner Guard: Corner Guard mounted over continuous aluminum retainer. Exposed surfaces shall be free of wrinkling, chipping, discoloration, or other imperfections.

1. Dimensions
 - a. Leg Length: 3" (76.2mm).
 - b. Angle: 90° = ARN20; 135° = ARN20-135.
2. Profile: High-impact vinyl acrylic extrusion locked in place, nominal 0.078" (1.98mm) thick. Class I/A fire rating, tested in accordance with ASTM E 84.
3. Extrusion: Pebble grain finish. Contains EPA registered Micro-Chek antimicrobial agent.
4. Retainer: Continuous 6063-T6 aluminum retainer along entire length of Corner Guard, minimum 0.060" (1.52mm) thick.
5. End Caps: Injection molded unit of color and texture similar to that of Corner Guard.

PART 3 EXECUTION

3.01 EXAMINATION

Inspect wall surfaces to receive Corner Guards. Notify the Architect in writing if wall surfaces are not acceptable. Do not begin installation until unacceptable conditions have been corrected.

3.02 INSTALLATION

- A. Install Corner Guards to walls securely in accordance with manufacturer's written instructions.
- B. Install Corner Guards accurately in location, alignment, and elevation.

NELPLAS®
Wall Protection Systems

800-628-0449 • www.nelplas.com • Division 10 26 00

® is a registered trademark of RJF International Corporation.

NFPA 101® is a registered trademark of the National Fire Protection Association