

# Nelplas Wall Protection Systems

## Nelplas® 670-Series Crash Rails

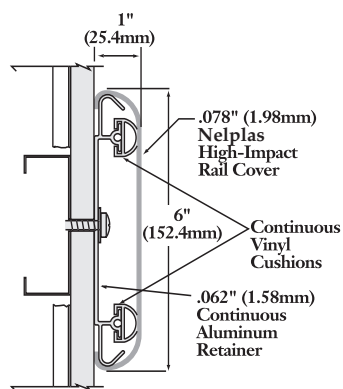


**NELPLAS** 670-Series Crash Rails are 6" (152.4mm) high with full-length vinyl cushions and continuous aluminum retainers. 670-Series Crash Rails combine a wide area of protection and a variety of mounting options to meet every impact need. **NELPLAS** rugged durability makes 670-Series Crash Rails best suited for medium- to high-impact areas.

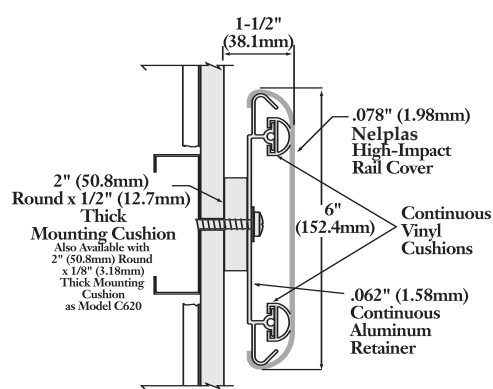
670 SERIES	ACCESSORY ITEMS
670 E	End Cap (Foam Cushion)
670 C	90° Outside Corner Cap (Foam Cushion)
670 S	Splice Kit
673 E	Rigid End Cap (Plastic)
673 C	90° Rigid Corner Cap (Plastic)
673 D	135° Rigid Corner Cap (Plastic)
685 E	Extended End Cap

**NELPLAS** 670-Series Crash Rails are backed by a limited five-year warranty. All Crash Rails are Class I/A fire rated and meet national building code standards. All **NELPLAS** linear profiles color-coordinate with a multitude of **NELPLAS**® Wallcoverings for a systems approach to wall protection.

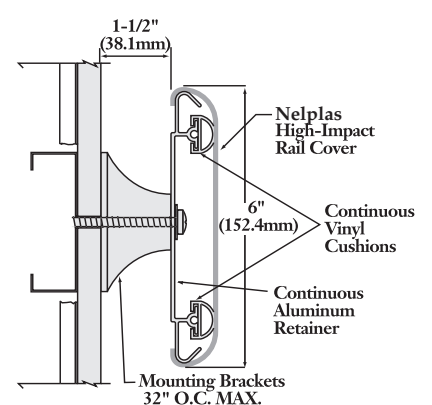
For more information on **NELPLAS** Crash Rails or the **NELPLAS** Wall Protection System, please call your local **NELPLAS** distributor or 800-628-0449.



**670**



**680**



**690**

# Product Guide Specification

## SECTION 10 26 00 CRASH RAILS

### PART 1 GENERAL

#### 1.01 SECTION INCLUDES

6" (152.4mm) Crash Rails.

#### 1.02 SUBMITTALS

- A. Comply with requirements of Section 01 33 00 - Submittals.
- B. Product Data: Submit manufacturer's product data.
- C. Shop Drawings: Submit shop drawings showing components, dimensions, and anchorage details.
- D. Samples: Submit 12" (304.8mm) long sample of each model and color specified, including end caps and corner units for Architect's approval.
- E. Certification: Submit manufacturer's certification indicating compliance with ADA requirements.

#### 1.03 QUALITY ASSURANCE

Comply with NFPA 101® for interior finish materials. Smoke developed less than 450 and flame spread of 25 or less in accordance with ASTM E 84.

#### 1.04 DELIVERY, STORAGE, AND HANDLING

- A. Delivery: Deliver materials to site in manufacturer's original, unopened containers and packaging with labels clearly indicating manufacturer and material.
- B. Storage: Store materials indoors in a clean, dry area protected from damage and in accordance with manufacturer's instructions.
- C. Handling: Protect materials during handling and installation to prevent damage.

### PART 2 PRODUCTS

#### 2.01 MANUFACTURER

Nelplas Wall Protection Systems.  
A Division of RJF International Corporation

#### 2.02 CRASH RAILS

Nelplas 670-Series Crash Rail: Crash Rail mounted over continuous aluminum retainer and two continuous vinyl bumper cushions. Exposed surfaces shall be free of wrinkling, chipping, discoloration, or other imperfections.

- 1. Dimensions:
  - a. Height: 6" (152.4mm).
  - b. Width: 1" (25.4mm).
  - c. Clearance from Wall: [Model C600, flush with wall] [Model 675, 1/8" (3.18mm)] [Model 680, 1/2" (12.7mm)].
- 2. Profile: High-impact vinyl acrylic extrusion locked in place, nominal 0.078" (1.98mm) thick. Class I/A fire rating, tested in accordance with ASTM E 84.
- 3. Extrusion: Pebble grain finish. Contains EPA registered Micro-Chek antimicrobial agent.
- 4. Retainer: Minimum 0.080" (2.03mm) thick 6063-T6 aluminum.
- 5. End Caps: Solid, one-piece foam cushion wall return unit. Withstand impacts of 161 foot-pounds without splitting, cracking, shattering, or breaking.
- 6. Corners: External corner units of similar material to end cap units. Carry line of Crash Rail continuously around corner, unless otherwise indicated on drawings.
- 7. Color: Color to be selected by Architect from manufacturer's standard colors.

### PART 3 EXECUTION

#### 3.01 EXAMINATION

Inspect wall surfaces to receive Crash Rails. Notify the Architect in writing if wall surfaces are not acceptable. Do not begin installation until unacceptable conditions have been corrected.

#### 3.02 INSTALLATION

- A. Install Crash Rails to walls securely in accordance with manufacturer's written instructions.
- B. Install Crash Rails accurately in location, alignment, and elevation.
- C. Provide horizontal steel stud back-up in drywall stud cavity to accept fasteners.

**NELPLAS**®  
Wall Protection Systems

800-628-0449 • [www.nelplas.com](http://www.nelplas.com) • Division 10 26 00

® is a registered trademark of RJF International Corporation.

NFPA 101® is a registered trademark of the National Fire Protection Association