

Nelplas Wall Protection Systems

Nelplas® 550 Handrail

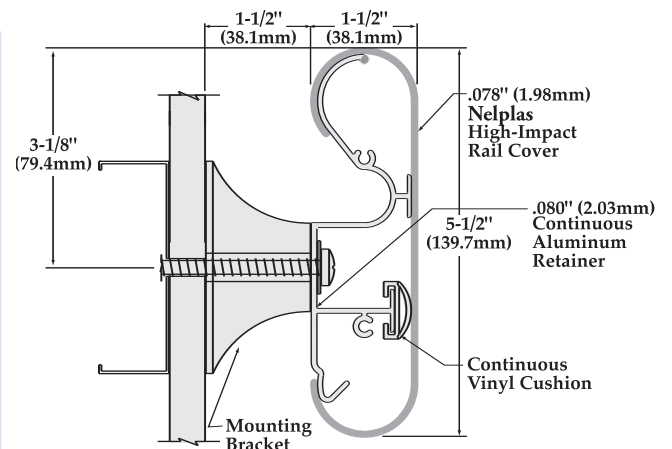


The **NELPLAS**® 550 Handrail is a 5-1/2" (139.77mm) rail with a full-length vinyl bumper and continuous aluminum retainer. With sturdy mounting brackets maintaining wall clearance and stability, the 550 Handrail provides support in medium- to high-impact areas. End and corner caps are available either as patented foam cushion or as rigid plastic. Optional reveals, available for both foam cushion and rigid plastic end and corner caps, provide additional design options.

The **NELPLAS** 550 Handrail conforms to current ADA regulations and is backed by a limited five-year warranty. All Handrails are Class I/A fire-rated and meet national building code standards.

For more information on **NELPLAS** Handrails or the **NELPLAS** Wall Protection System, please call your local **NELPLAS** distributor or 800-628-0449.

550	ACCESSORY ITEMS
550E	End Cap (Foam Cushion)
550C	90° Corner Cap (Foam Cushion)
550D	135° Corner Cap (Foam Cushion)
550S	Splice Kit
550ER	End Cap (Foam Cushion) w/Reveal
550CR	90° Corner Cap (Foam Cushion) w/Reveal
550DR	135° Corner Cap (Foam Cushion) w/Reveal
553E	Rigid End Cap (Plastic)
553C	90° Rigid Corner Cap (Plastic)
553D	135° Rigid Corner Cap (Plastic)
553ER	Rigid End Cap (Plastic) w/Reveal
553CR	90° Rigid Corner Cap (Plastic) w/Reveal
553DR	135° Rigid Corner Cap (Plastic) w/Reveal



550

Product Guide Specification

SECTION 10 26 00 HANDRAILS

PART 1 GENERAL

1.01 SECTION INCLUDES

5-1/2" (139.7mm) Handrail/Bumper Systems.

1.02 SUBMITTALS

- A. Submit in accordance with Section 01 33 00 - Submittals.
- B. Product Data: Submit manufacturer's product data.
- C. Shop Drawings: Submit shop drawings showing components, dimensions, and anchorage details.
- D. Samples: Submit for approval 12" (304.8mm) long sample for each model, color, and finish specified, including end caps and corner units.
- E. Test Reports: Submit manufacturer's test reports and certification indicating compliance with applicable ADA and building code requirements.

1.03 QUALITY ASSURANCE

Comply with NFPA 101® for interior finish materials. Smoke developed less than 450 and flame spread of 25 or less in accordance with ASTM E 84.

1.04 DELIVERY, STORAGE, AND HANDLING

- A. Delivery: Deliver materials to site in manufacturer's original, unopened containers and packaging, with labels clearly identifying product name and manufacturer.
- B. Storage: Store materials in clean, dry location, protected against damage of any kind.
- C. Handling: Protect materials during handling and installation to prevent damage.

PART 2 PRODUCTS

2.01 MANUFACTURER

Nelplas Wall Protection Systems
A Division of RJF International Corporation

2.02 HANDRAILBUMPER SYSTEMS

NELPLAS 550 Handrail: Handrail mounted over continuous aluminum retainer and full-length vinyl bumper cushion with mounting brackets maintaining wall clearance. Exposed surfaces shall be free of wrinkling, chipping, discoloration, or other imperfections.

1. Dimensions

- a. Height: 5-1/2" (139.7mm).
 - b. Width: 1-1/2" (38.1mm).
 - c. Clear Space from Wall: 1-1/2" (38.1mm).
- 2. Profile: High-impact vinyl acrylic extrusion locked in place, nominal 0.078" (1.98mm) thick. Class I/A fire rating, when tested in accordance with ASTM E 84.
 - 3. Extrusion: Pebble grain finish. Contains EPA-registered Micro-Chek antimicrobial agent.
 - 4. Retainer: Continuous 6063-T6 aluminum retainer along entire length of Handrail/Bumper, minimum 0.080" (2.03mm) thick.
 - 5. End Caps: [Foam cushion] [Rigid plastic] wall return unit of color and texture similar to that of rail.
 - 6. Corners: Internal and external corner units of similar material to end cap units. Carry line of Handrail/Bumper continuously around corner unless otherwise indicated on drawings.
 - 7. Optional Reveal: Black 1/8" (3.2mm) wide flexible PVC insert between profile cover and end cap/corner provides aesthetic design option.

PART 3 EXECUTION

3.01 EXAMINATION

Verify by examination that wall surfaces are acceptable to receive the specified Handrail/Bumper Systems. Notify the Architect in writing if wall surfaces are not acceptable. Do not begin installation until unacceptable conditions have been corrected.

3.02 INSTALLATION

- A. Install Handrail/Bumper Systems to wall securely in accordance with manufacturer's written instructions.
- B. Install Handrail/Bumper Systems accurately in location, alignment, and elevation.
- C. Provide horizontal steel stud back-up in drywall stud cavity to accept fasteners.

NELPLAS®
Wall Protection Systems

800-628-0449 • www.nelplas.com • Division 10 26 00

® is a registered trademark of RJF International Corporation.

NFPA 101® is a registered trademark of the National Fire Protection Association