

Nelplas Wall Protection Systems

Nelplas® 400-Series Bed Locators

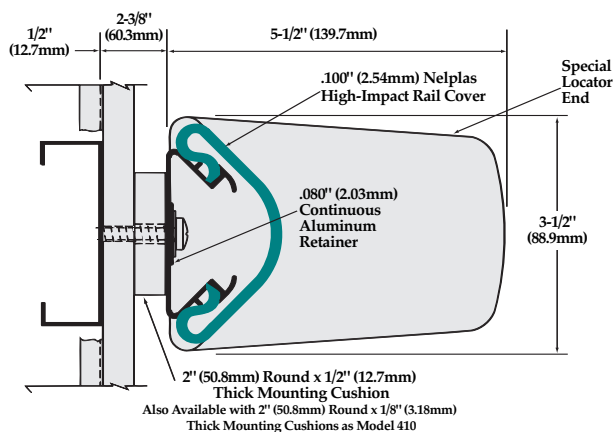


NELPLAS 400-Series Bed Locators are 3-1/2" (88.9mm) high rails with rounded full-length vinyl covers, continuous aluminum retainers, and locator caps. Bed Locators position beds in a safe, damage-free space. All units are pre-cut and drilled with locator ends attached at the factory.

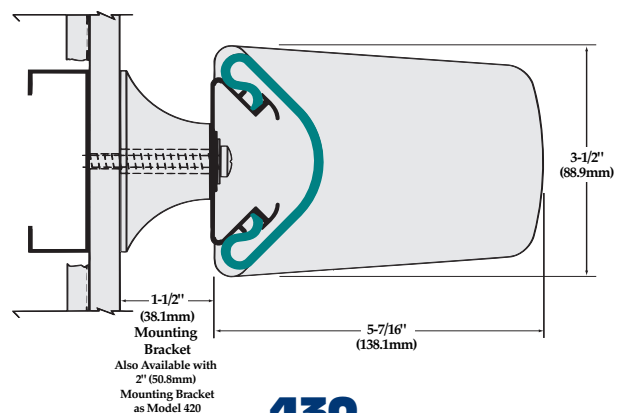
NELPLAS 400-Series Bed Locators are backed by a limited five-year warranty. All Bed Locators are Class I/A fire rated and meet national building code standards.

400 SERIES	ACCESSORY ITEMS
450 E	Bed Locator End Cap
400 C	90° Outside Corner Cap
400 S	Splice Kit

For more information on **NELPLAS** Bed Locators or the **NELPLAS** Wall Protection System, please call your local **NELPLAS** distributor or 800-628-0449.



400



430

Product Guide Specification

SECTION 10 26 00 BED LOCATORS

PART 1 GENERAL

1.01 SECTION INCLUDES

3-1/2" (88.9mm) Bed Locators.

1.02 SUBMITTALS

- A. Comply with requirements of Section 01 33 00 - Submittals.
- B. Product Data: Submit manufacturer's product data.
- C. Shop Drawings: Submit shop drawings showing components, dimensions, and anchorage details.
- D. Samples: Submit 12" (304.8mm) long sample of each model and color specified, including end caps and corner units, for Architect's approval.
- E. Certification: Submit manufacturer's certification indicating compliance with ADA requirements.

1.03 QUALITY ASSURANCE

Comply with NFPA 101® for interior finish materials. Smoke developed less than 450 and flame spread of 25 or less in accordance with ASTM E 84.

1.04 DELIVERY, STORAGE, AND HANDLING

- A. Delivery: Deliver materials to site in manufacturer's original, unopened containers and packaging with labels clearly indicating manufacturer and material.
- B. Storage: Store materials indoors in a clean, dry area protected from damage and in accordance with manufacturer's instructions.
- C. Handling: Protect materials during handling and installation to prevent damage.

PART 2 PRODUCTS

2.01 MANUFACTURER

Nelplas Wall Protection Systems.
A Division of RJF International Corporation

2.02 BED LOCATORS

Nelplas 400-Series Bed Locator: Bed Locator mounted over continuous aluminum retainer. Exposed surfaces shall be free of wrinkling, chipping, discoloration, or other imperfections.

1. Dimensions:
 - a. Height: 3-1/2" (88.9mm).
 - b. Width: 1-7/8" (47.6mm).
 - c. Clearance from Wall: [Model 410, 1/8" (3.18mm)] [Model 400, 1/2" (12.7mm)] [Model 430, 1-1/2" (38.1mm)] [Model 420, 2" (50.8mm)].
2. Profile: High-impact vinyl acrylic extrusion locked in place, nominal 0.100" (2.54mm) thick. Class I/A fire rating, tested in accordance with ASTM E 84.
3. Extrusion: Pebble grain finish. Contains EPA registered Micro-Chek antimicrobial agent.
4. Retainer: Continuous 6063-T6 aluminum retainer along entire length of Bed Locator, minimum 0.080" (2.03mm) thick.
5. End Caps: Injection molded, preassembled locator unit of color and texture similar to that of rail.

PART 3 EXECUTION

3.01 EXAMINATION

Inspect wall surfaces to receive Bed Locators. Notify the Architect in writing if wall surfaces are not acceptable. Do not begin installation until unacceptable conditions have been corrected.

3.02 INSTALLATION

- A. Install Bed Locators to walls securely in accordance with manufacturer's written instructions.
- B. Install Bed Locators accurately in location, alignment, and elevation.
- C. Provide horizontal steel stud back-up in drywall stud cavity to accept fasteners.

NELPLAS®
Wall Protection Systems

800-628-0449 • www.nelplas.com • Division 10 20 60

® is a registered trademark of RJF International Corporation.

NFPA 101® is a registered trademark of the National Fire Protection Association