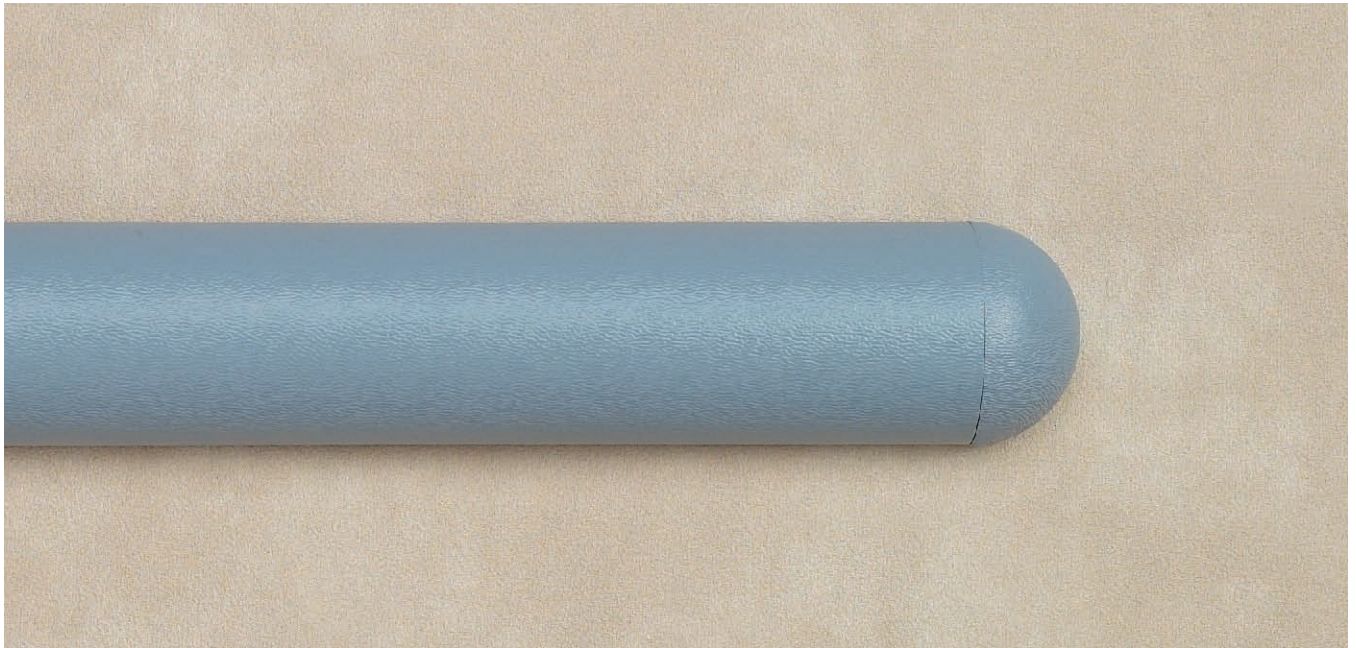


# Nelplas Wall Protection Systems

## Nelplas® 300 Bumper Guard

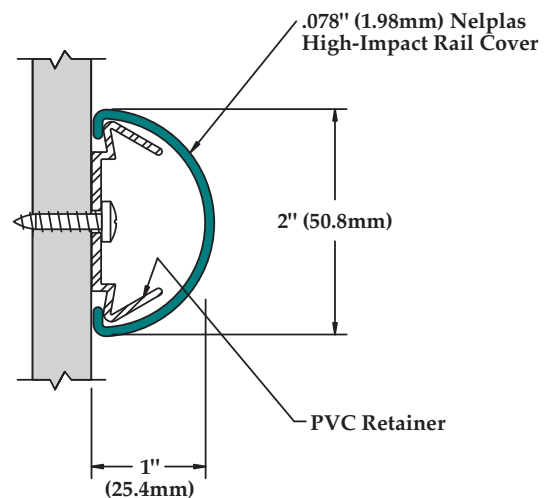


The **NELPLAS** 300 Bumper Guard is a 2" (50.8mm) high rail with a rounded full-length vinyl cover and economical PVC retainer. Bumper Guards create a damage-resistant barrier to reckless traffic. The 300 Bumper Guard combines a simple design element with economical construction to meet those special wall protection needs. **NELPLAS** rugged durability makes the 300 Bumper Guard best suited for lighter-impact areas.

The **NELPLAS** 300 Bumper Guard is backed by a limited five-year warranty. All **NELPLAS** Bumper Guards are Class I/A fire rated and meet national building code standards.

For more information on **NELPLAS** Bumper Guards or the **NELPLAS** Wall Protection System, please call your local **NELPLAS** distributor or 800-628-0449.

300	ACCESSORY ITEMS
300 E	Standard End Cap
300 C	90° Outside Corner Cap



**300**

# Product Guide Specification

## SECTION 10 26 00 BUMPER GUARDS

---

### PART 1 GENERAL

#### 1.01 SECTION INCLUDES

- 2" (50.8mm) Bumper Guard.

#### 1.02 SUBMITTALS

- A. Comply with requirements of Section 01 33 00 - Submittals.
- B. Product Data: Submit manufacturer's product data.
- C. Shop Drawings: Submit shop drawings showing components, dimensions, and anchorage details.
- D. Samples: Submit 12" (304.8mm) long sample of each model and color specified, including end caps and corner units, for Architect's approval.
- E. Certification: Submit manufacturer's certification indicating compliance with ADA requirements.

#### 1.03 QUALITY ASSURANCE

Comply with NFPA 101® for interior finish materials. Smoke developed less than 450 and flame spread of 25 or less in accordance with ASTM E 84.

#### 1.04 DELIVERY, STORAGE, AND HANDLING

- A. Delivery: Deliver materials to site in manufacturer's original, unopened containers and packaging with labels clearly indicating manufacturer and material.
- B. Storage: Store materials indoors in a clean, dry area protected from damage and in accordance with manufacturer's instructions.
- C. Handling: Protect materials during handling and installation to prevent damage.

### PART 2 PRODUCTS

#### 2.01 MANUFACTURER

Nelplas Wall Protection Systems  
A Division of RJF International Corporation

#### 2.02 BUMPER GUARDS

Nelplas 300 Bumper Guard: Bumper Guard mounted over continuous PVC retainer. Exposed surfaces shall be free of wrinkling, chipping, discoloration, or other imperfections.

- 1. Dimensions:
  - a. Height: 2" (50.8mm).
  - b. Width: 1" (25.4mm).
  - c. Clearance from Wall: Flush with wall.
- 2. Profile: High-impact vinyl acrylic extrusion locked in place, nominal 0.078" (1.98mm) thick. Class I/A fire rating, tested in accordance with ASTM E 84.
- 3. Extrusion: Pebble grain finish. Contains EPA registered Micro-Chek antimicrobial agent.
- 4. Retainer: Continuous PVC retainer along entire length of Bumper Guard, minimum 0.080" (2.03mm) thick.
- 5. End Caps: Injection molded, of color and texture similar to that of rail.
- 6. Corners: External corner of similar material to end cap. Carry line of Bumper Guard continuously around corner unless otherwise indicated on drawings.

### PART 3 EXECUTION

#### 3.01 EXAMINATION

Inspect wall surfaces to receive Bumper Guard. Notify the Architect in writing if wall surfaces are not acceptable. Do not begin installation until unacceptable conditions have been corrected.

#### 3.02 INSTALLATION

- A. Install Bumper Guards to walls securely in accordance with manufacturer's written instructions.
- B. Install Bumper Guards accurately in location, alignment, and elevation.
- C. Provide horizontal steel stud back-up in drywall stud cavity to accept fasteners.

**NELPLAS®**  
Wall Protection Systems

800-628-0449 • [www.nelplas.com](http://www.nelplas.com) • Division 10 26 00

® is a registered trademark of RJF International Corporation.

NFPA 101® is a registered trademark of the National Fire Protection Association