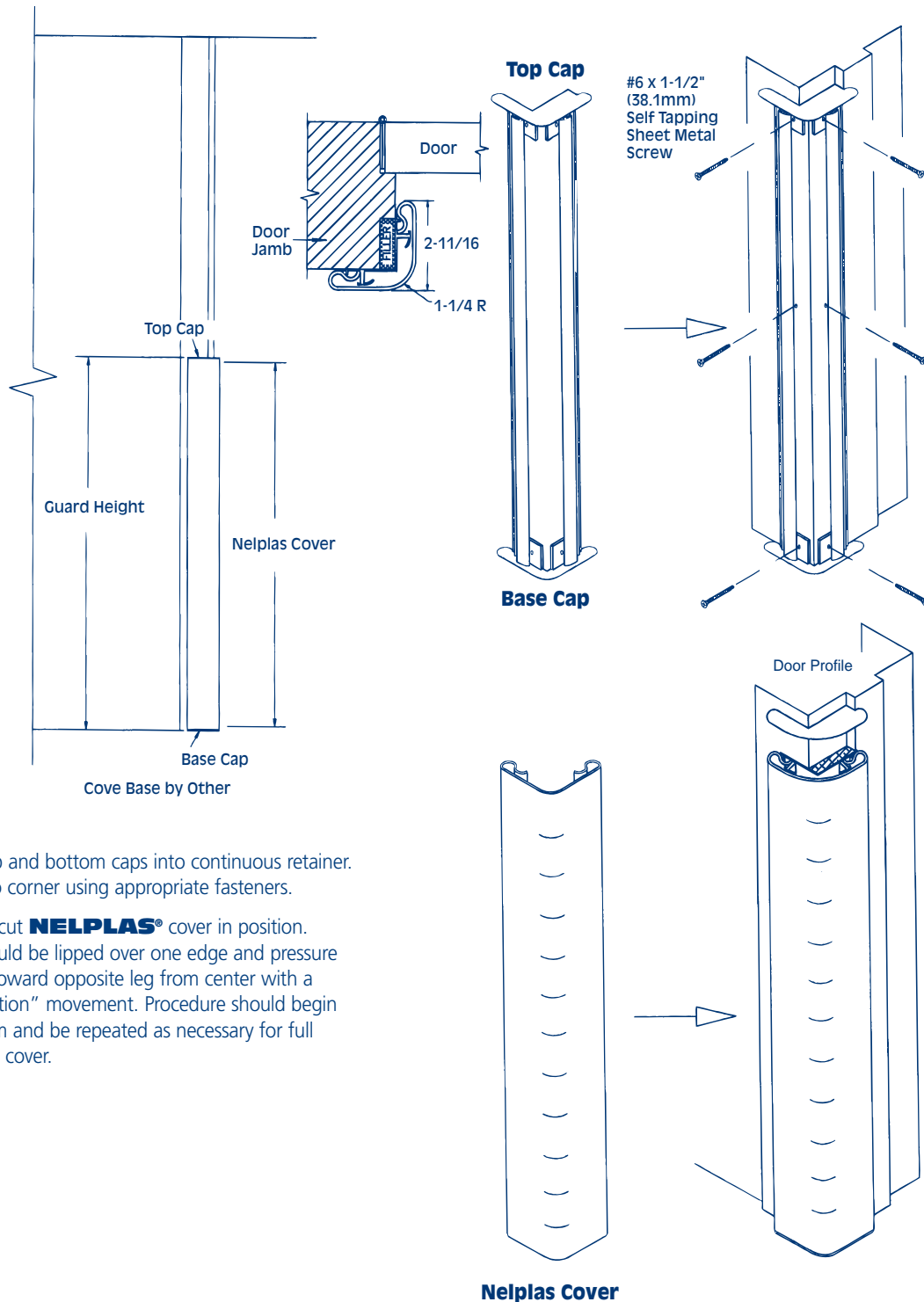


# Nelplas Wall Protection Systems

## NDF-360 Door Frame Guard

### Installation Instructions



1. Insert top and bottom caps into continuous retainer. Attach to corner using appropriate fasteners.
2. Snap precut **NELPLAS**® cover in position. Cover should be lipped over one edge and pressure applied toward opposite leg and pressure applied toward opposite leg from center with a "snap action" movement. Procedure should begin at bottom and be repeated as necessary for full height of cover.

**NELPLAS**®  
Wall Protection Systems

800-628-0449 • www.nelplas.com • Division 10 26 00