

Routine Maintenance

Liquid cleaners such as Formula 409®, Fantastic®, and SoftScrub® are best. Powdered cleansers are not recommended because they can leave a residue. For tough spot cleaning, use "Crown Anti-Vandal Spray," manufactured by Aervoe Industries: 800-227-0916.

Limited Warranty

RJF International warrants to its purchasers that **NELPLAS™** Protective Wallcovering will be free from any defects in material or workmanship and will meet the design criteria noted in our catalogs when properly applied and installed with adhesives recommended by RJF International. If in the sole opinion of RJF International, a product covered by this warranty is defective, RJF International will replace it free of charge. This warranty shall extend for a period of five years from the date of shipment by **NELPLAS** Wall Protection Systems. This is in lieu of all other warranties expressed or implied, and is the sole warranty extended by RJF International. The liability of RJF International under this warranty is limited to replacement of **NELPLAS** Protective Wallcovering products and does not include any responsibility for other damages.

The fire rating data herein is based on information we believe to be reliable. It is offered in good faith, but without guarantee, as conditions and methods of use of our products are beyond our control. We recommend that the prospective user determine the suitability of our materials and suggestions before adopting them on a commercial scale.



NELPLAS™

Product Selection and Installation Manual

NELPLAS™

Nelplas™ is a trademark of RJF International Corporation.

800-628-0449 • www.nelplas.com

Product Description

Product Selection

Product description overview .3
Sheet selection .4
Accessory selection .6

Installation

Adhesive selection .8
Tool selection .8
Temperature requirements .9
Working with NELPLAS Protective Wallcovering .9
Installation with mastic adhesive .10
Installation with contact adhesives .12
Installation of accessories .14
Maintenance and warranty .16



NELPLAS Protective Wallcovering is an extremely tough, durable acrylic-PVC alloy plastic sheet for long-lasting protection of interior wall and door surfaces in environmentally controlled buildings.



NELPLAS Protective Wallcovering may be installed on smooth or rough surfaced walls as wainscoting or full wallcovering. It may also be installed on door surfaces as push or kickplates, and may be thermoformed for use as corner guards or door frame protectors.

For a more detailed description of NELPLAS Protective Wallcovering or the full line of NELPLAS Wall Protection products, please call your local NELPLAS distributor.

Sheet Selection

Proper product selection is essential for code compliance, proper installation, and expected service life.

Please Note:

- Local building codes vary; these are only general guidelines.
- Building code compliance also depends on adhesive and substrate.
- NELPLAS™** Protective Wallcovering can be installed over smooth surfaces such as drywall, plaster, plywood, etc. Any thickness can be installed over a smooth wall surface.
- Rough surfaces, such as block or brick, require thicknesses from .060" (1.5mm) through .125" (3.2mm).
- Expected abuse should be considered when selecting thickness. The guide below provides examples of abuse levels and can assist you in selecting a thickness that will provide adequate protection.

Fire Code Selection Guide

- ▲ Signifies products that meet or exceed Class I/A fire code criteria.*
- Signifies products that meet or exceed Class II/B fire code criteria.

Gauge	NELPLAS 500	NELPLAS 600
.028" (0.7mm)	▲	
.040" (1.0mm)	▲	
.060" (1.5mm)	▲	
.080" (2.0mm)	●	▲
.093" (2.4mm)	●	▲
.125" (3.2mm)		▲

* Flame and smoke characteristics of installed **NELPLAS** Protective Wallcovering may be affected by substrate and adhesive used. Please refer to "Adhesive Selection" on page 8.

Thickness Selection Guide		
Level of Abuse*	Thickness Recommendation	
	Thickness Over Smooth Surfaces	Thickness Over Rough Surfaces
Medium Wheelchairs, Carts, Luggage (e.g., Lobbies, Elevator Areas, Corridors)	.028" (0.7mm)** .040" (1.0mm)**	N/A**
Heavy Portable Diagnostic Equipment, Gurneys (e.g., Elevators)	.060" (1.5mm) .080" (2.0mm)	.060" (1.5mm) .080" (2.0mm)
Very Heavy Hand Trucks, Crates (e.g., Service Corridors)	.093" (2.4mm) .125" (3.2mm)	.093" (2.4mm) .125" (3.2mm)

* Examples listed are only guidelines and are not to be construed as recommendations. Because of the variability of each situation (type of substrate, degree of abuse, etc.), careful consideration of thickness to be used is suggested. Call your local **NELPLAS** distributor at 800-628-0449 for assistance in thickness selection.

** **NELPLAS** Protective Wallcovering in .028" (0.7mm) and .040" (1.0mm) thickness should only be installed over smooth substrates such as drywall, plaster, plywood, etc.

Sheet and Roll Selection Guide		
	Popular Sheet and Rolls (No Minimum Requirement)	Special Order Sheet and Rolls (Minimums May Apply)
Colors	36 Standard Colors 6 Accent Colors (Accent Colors Available in .028" only)	36 Standard Colors 15 Non-Standard Colors Unlimited Custom Colors
Texture(s)	P-1 Haircell	P-1 Haircell P-3 Velour Matte P-C Level Haircell P-E Smooth Nap P-K Cashmere
Thicknesses	.028" (0.7mm) .040" (1.0mm) .060" (1.5mm)	.028" (0.7mm) .040" (1.0mm) .060" (1.5mm) .080" (2.0mm) .093" (2.4mm) .125" (3.2mm)
Sheet Sizes	48" x 96" (1.22m x 2.44m)	24" x 96" (.61m x 2.44m) 36" x 96" (.91m x 2.44m) 36" x 120" (.91m x 3.05m) 48" x 120" (1.22m x 3.05m) 60" x 96" (1.52m x 2.44m) Custom Sheet Sizes Also Available
Roll Sizes	48" x 120' (1.22m x 36.58m) (.028" and .040" only)	24" x 120' (.61m x 36.58m) 36" x 120' (.91m x 36.58m) 48" x 120' (1.22m x 36.58m) Custom Roll Sizes Also Available (.028" and .040" only)

Sheet Expansion Table

For installations using contact adhesives over smooth surface.

Range of Temperature Change from Installation Temperature	Maximum Length of Panel
±30°F (±17°C)	8 ft. (2.44m)
±20°F (±11°C)	10 ft. (3.05m)
±10°F (±6°C)	12 ft. (3.66m)

Sheet Expansion Table

For installations using mastic adhesive over smooth or rough surfaces.

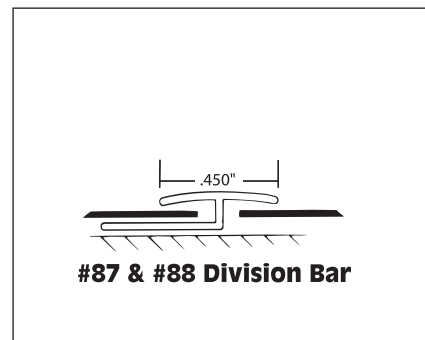
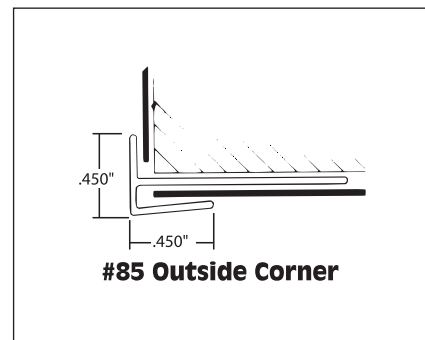
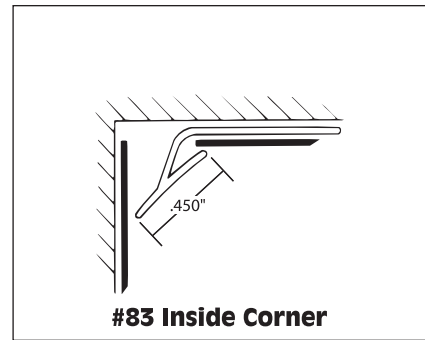
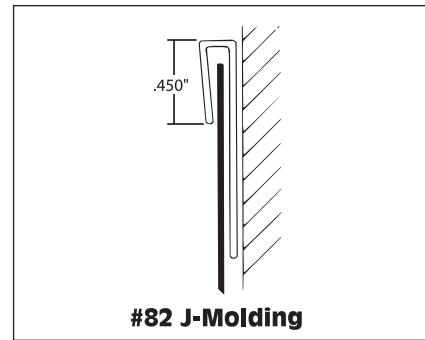
Range of Temperature Change from Installation Temperature	Maximum Length of Panel
±30°F (±17°C)	4 ft. (1.22m)
±15°F (±8°C)	8 ft. (2.44m)
±10°F (±6°C)	10 ft. (3.05m)
±8°F (±4°C)	12 ft. (3.66m)

The temperature of **NELPLAS™** Protective Wallcovering will be raised if installed near heating vents or radiators or in the path of direct sunlight through southerly facing windows. The resulting differential between expansion and contraction can cause blistering, distortion, or delamination of the **NELPLAS** Protective Wallcovering in the exposed area.

Accessory Selection

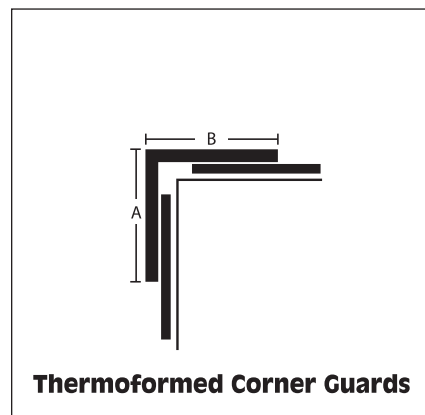
Accessory Moldings

Supplied in 10 foot (3.05m) lengths, moldings are color-matched to the standard colors of **NELPLAS™** Protective Wallcovering. Moldings will accommodate sheet thicknesses from .028" (0.7mm) to .080" (2.0mm). Color matched caulk is also available.

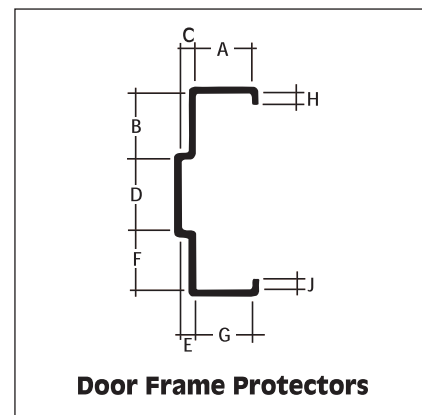


Custom Corner Guards & Door Protection

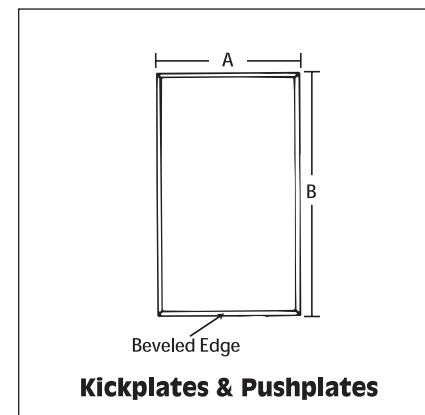
NELPLAS can fabricate these items to your dimensional and appearance specifications.



- .040" (1.0mm) to .125" (3.2mm) thickness.
- Select thickness depending on expected abuse.
- Available with or without adhesive backing.
- Specify thickness, color, A and B dimensions, and linear feet required.



- .040" (1.0mm) or .060" (1.5mm) thickness.
- Select thickness depending on expected abuse.
- Specify color, A through I dimensions, and linear feet required.



- .028" (0.7mm) to .125" (3.2mm) thickness.
- Select thickness depending on expected abuse.
- Available with or without adhesive backing. Specify thickness, color, A and B dimensions.

Accessories	Product Number	Available For These Sheet Gauges			
		.028" (0.7mm)	.040" (1.0mm)	.060" (1.5mm)	.080" (2.0mm)
J-Molding	82	■	■	■	■
Inside Corner	83	■	■	■	■
Outside Corner	85	■	■	■	■
Division Bar	87	■	■		
Division Bar	88			■	■

Accessories	Available In These Sheet Gauges					
	.028" (0.7mm)	.040" (1.0mm)	.060" (1.5mm)	.080"* (2.0mm)	.093"* (2.4mm)	.125"* (3.2mm)
Thermoformed Corner Guards		■	■	■	■	■
Door Frame Protectors		■	■			
Kickplates and Pushplates	■	■	■	■	■	■

* Minimums may apply.

NELPLAS™

WALL PROTECTION SYSTEMS

Adhesive Selection

Recommended nonflammable adhesives for **NELPLAS™** Protective Wallcovering

Adhesive	Type	Smooth Walls	Rough Walls	Application Method	Approximate Coverage	Manufacturer
Hi-Stik Advantage or XT-2000 Mastic*	Mastic Water Based	Yes		<i>Smooth Walls:</i> 1/16" (1.6mm) Square Notch Trowel	125 sq. ft./gal. (3.07m ² /lit)	Available From Your Local NELPLAS Distributor
			Yes	<i>Rough Walls:</i> 1/8" (3.2mm) U-Notch Trowel	80 sq. ft./gal. (1.97m ² /lit)	
3M Products Fastbond 30	Contact Water Based	Yes	No	Short Nap Roller	250 sq. ft./gal. (23.23m ² /lit)	3M Company St. Paul, MN (612) 733-5454 or Your Local NELPLAS Distributor
Durabond Weldwood Nonflammable	Contact Water Based	Yes	No	Short Nap	250 sq. ft./gal. (23.23m ² /lit)	DAP Inc. Dayton, OH (513) 667-4461

* Not recommended for use with .040" rolls.

Fire code compliance is dependent upon **NELPLAS** Protective Wallcovering formulation, gauge, and adhesive selection. Contact your local **NELPLAS** distributor or call 800-628-0449 for current fire code information.

Tool Selection



For Mastic Adhesive Applications

Rough surfaces and smooth surfaces

- ✓ Approved mastic adhesive
- ✓ Mason's stone (rough surfaces only)
- ✓ Chalk line/plumb bob
- ✓ Notched trowel
- ✓ Block plane or scraper
- ✓ Crain #333 pressured wall roller or equivalent
- ✓ Heavy-duty razor knife
- ✓ Straight edge
- ✓ Hand-held circular saw
- ✓ Saber saw
- ✓ 1" (25.4mm) putty knife

For Contact Adhesive Applications

Smooth surfaces only

- ✓ Approved contact cement
- ✓ Short nap paint roller & tray
- ✓ Trim brush
- ✓ Chalk line/plumb bob
- ✓ Sanding block
- ✓ Stiff paperhanger brush
- ✓ Polyethylene (4-8 mil), Kraft paper or scrap **NELPLAS** Wallcovering for slip sheeting
- ✓ Crain #333 pressured wall roller or equivalent
- ✓ Heavy-duty razor knife
- ✓ Straight edge

Temperature Requirements

NELPLAS™ Protective Wallcovering is a semi-rigid, non-reinforced, thermoplastic product and may be subject to dimensional changes (expansion/contraction) with temperature fluctuations.

Product Storage

1. Materials must be stored flat (do not stand rolls or sheet on end) in a clean and dry area where temperature is maintained above 50°F (10°C).
2. Material should be stored in original containers.

Before Installation

1. Both **NELPLAS** Protective Wallcovering and adhesive must be allowed to precondition for at least 24 hours at a minimum temperature of 65°F (18°C) but not exceeding 85°F (29°C) prior to beginning installation.
2. Pre-cut sheet sizes from rolls.
3. To reduce roll curl when using roll stock, place pre-cut **NELPLAS** Protective Wallcovering on a flat surface with all four corners weighted and allow the material to relax for a period of at least twenty-four hours at a minimum temperature of 65°F (18°C) but not exceeding 85°F (29°C) prior to beginning installation.

Recommended Temperature Ranges °F (°C)									
	30 (-1)	40 (4)	50 (10)	60 (16)	70 (21)	80 (27)	90 (32)	100 (38)	
Product Storage									
Before Installation									
During Installation									
After Installation	NOT TO EXCEED 100°F (38°C)								

4. Installation areas should have a constant minimum temperature of not less than 65°F (18°C) for a minimum of 48 hours prior to beginning installation.
5. Wipe the back side of the **NELPLAS** Protective Wallcovering with a damp rag to remove any dust, and allow to dry.

During Installation

1. Wall temperature during installation should be a minimum of 65°F (18°C) and a maximum of 85°F (29°C).
2. Temperature of installation area should be maintained throughout course of

- installation at a minimum of 65°F (18°C) however, 75°F (24°C) is preferable.
3. High humidity will lengthen the curing time of adhesives. Do not install if relative humidity is greater than 80%.

After installation

1. Do not expose walls to elevated temperatures or direct sunlight after installation. This may result in wall surface temperatures in excess of 100°F (38°C), which may cause blistering and distortion of **NELPLAS** Protective Wallcovering.

Working with **NELPLAS** Protective Wallcovering

Cutting

- Thinner gauges of **NELPLAS** Protective Wallcovering .028" (0.7mm) and .040" (1.0mm), may be cut with a utility knife, using a metal straight edge as a guide. A number of passes are made with the blade along the line to be cut.
- Thicker gauges of **NELPLAS** Protective Wallcovering .060" (1.5mm), .080" (2.0mm), and .093" (2.4mm) may be cut by scribing and breaking. The special scribing tools used for cutting Plexiglas acrylic sheet may be used. Using a metal straight edge as a guide, a number of passes are made with the tool along the line to be cut. The scribed line is placed over a 3/4" (19.1mm) diameter dowel and the sheet is broken by applying downward hand pressure on both sides of the line.

Sawing

- **NELPLAS** Protective Wallcovering can be cut by sawing with most common types of power sawing equipment including circular saws, jig saws, and saber saws. Circular saws are used for straight cuts; jig and saber saws are used for cutting small radii curves.
- Standard blades designed for cutting plywood work well and are preferred over carbide tipped blades for cutting thin gauges of **NELPLAS** Protective Wallcovering.

Drilling

- Holes may be drilled in **NELPLAS** Protective Wallcovering with standard, high-speed drills. Drills may be operated over a wide range of speeds as long as feeds are not forced.

Routing

- Portable routers may be used for cutting **NELPLAS** Protective Wallcovering to size, and work well on projects where there are a large number of similar sized sheets. Usually, a wood jig is constructed on site into which the **NELPLAS** Protective Wallcovering is placed, measured, marked, and cut using a portable router.

Installation With Mastic Adhesive*

Surface Preparation

1. Wall must be free from dirt, grease, loose paint, and scale. Remove rough spots by sanding smooth walls or using a mason's stone on block or brick. Walls must be properly mudded and taped.
2. Remove preexisting wallcovering, and resurface any walls with significant damage.
3. Test for paint adhesion. Attach a 12" (30.5cm) test square of **NELPLAS™** Protective Wallcovering to the wall using the mastic adhesive. Allow to set for 24 hours. Pull off the test square. If the adhesive has softened the paint, the wall must be stripped prior to installation.
4. Resurface uneven wall surfaces (i.e. concrete block or ceramic tile).
5. Before applying adhesive, the wall surface should be wiped with a clean water-dampened rag to remove any dust or debris.

* Mastic adhesive is not recommended when installing .040" rolls or thickness over .060".

Dry Fitting Sheets

1. Outline the area to be covered with chalk line or masking tape. If installation is a wainscoting, be sure the sight line at the top end is level. If installation is a full wall, make sure the vertical edge is plumb.
2. For uniform appearance, install all sheets with the texture running in the same direction. The arrow on the back of each sheet indicates texture direction.
3. When installed with mastic adhesive, **NELPLAS** Protective Wallcovering must have a 1/16" (1.6mm) expansion gap between sheets. Butt seams can only be accomplished with contact adhesives using .028 gauge wallcovering in temperature-controlled environments with a maximum temperature fluctuation of +10°F (5.6°C). See "Installation With Contact Adhesives" (pg. 12).
4. Do not butt **NELPLAS** Protective Wallcovering up against door jambs, ceilings, or baseboards. Leave a 1/16" (1.6mm) expansion clearance.
5. See "Joint Edge Molding Installation" (pg. 14) for recommendations on installing division bars, inside and outside corner moldings, and J-molding.
6. On interior surfaces of perimeter walls, and any area subject to temperature variations, an expansion clearance of 1/8" (3.2mm) minimum must be allowed on all four sheet sides to permit natural dimensional change.
7. Drill oversized holes when installing fixtures such as handrails, air ducts, etc. These items can inhibit the natural expansion and contraction of the sheet as temperature changes occur. Molding such as the #82 J-Molding can be used to minimize the visual effect of larger openings.

Applying Mastic Adhesive

1. Be certain that porous substrates such as drywall and concrete block are painted or sealed using latex primer before applying mastic adhesive. Newly sealed walls should be completely dry prior to application of mastic adhesive.
2. Follow adhesive manufacturer's recommended safety precautions, such as providing adequate ventilation.
3. Apply mastic adhesive to wall surface only. It is not necessary to apply mastic adhesive to back side of sheet.
4. USE ONLY RECOMMENDED TROWEL, ACCORDING TO WALL SURFACE. When using mastic adhesive on smooth walls, use only 1/16" x 1/16" x 1/16" (1.6mm x 1.6mm x 1.6mm) SQUARE-NOTCHED trowel. When using mastic adhesive on rough walls, use only 1/8" x 1/8" x 3/32" (3.2mm x 3.2mm x 2.4mm) U-NOTCHED trowel.
5. Be sure to cover 100% of wall surface area, maintaining uniform coverage. Insufficient adhesive is the cause of most problems.
6. Allow adhesive to "set up" according to instructions on adhesive container label. This time is variable according to job site conditions, but in no case should the adhesive be allowed to "skin over." Maintaining a constant temperature during cure time is critical. If you have any questions regarding curing time please contact your local **NELPLAS™** distributor or call 800-628-0449.



Installing Sheet

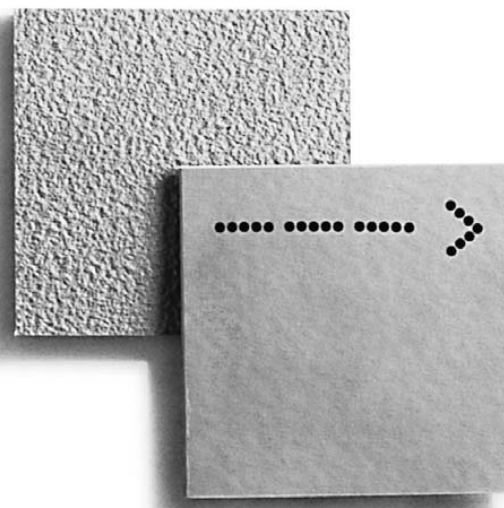
1. Align the top edge of **NELPLAS** Protective Wallcovering with chalk line or tape, then smooth **NELPLAS** Protective Wallcovering into place by hand.
2. Roll the entire surface with a heavy-duty pressure roller (i.e. Crain #333 extension roller or equivalent). Start from the center of sheet and work out, being cautious to prevent an air pocket from forming under the sheet. Pay particular attention to all edges of sheet.

Installation Clean-Up

1. Any adhesive residue should be removed immediately while **NELPLAS** Protective Wallcovering is being installed.
2. DO NOT allow adhesive to dry on surface of **NELPLAS** Protective Wallcovering or on tools.
3. Remove adhesive and lay-out marks using warm, soapy water.
4. Dried adhesive may sometimes be removed with mineral spirits or naphtha.

NELPLAS™

For uniform appearance, install all sheets with texture running the same direction. The arrow on the back of each sheet indicates texture direction. Textured embossed side is finished or exposed side. Textured side is not adhesive side.



Installation With Contact Adhesives

Smooth surfaces only.

Surface Preparation

1. Wall must be free from dirt, grease, loose paint, and scale. Remove rough spots by sanding smooth walls. Walls must be properly mudded and taped.
2. Remove preexisting wallcovering, and resurface any walls with damage.
3. Test for paint adhesion. Use a razor to score the surface of a 12" (30.5cm) square area in a grid pattern. Try to remove the broken paint film by applying cellophane-type or masking tape and pulling off sharply. If the paint comes off, the wall must be stripped prior to installation.
4. Before applying adhesive, the wall surface should be wiped with a clean water-dampened rag to remove any dust or debris.

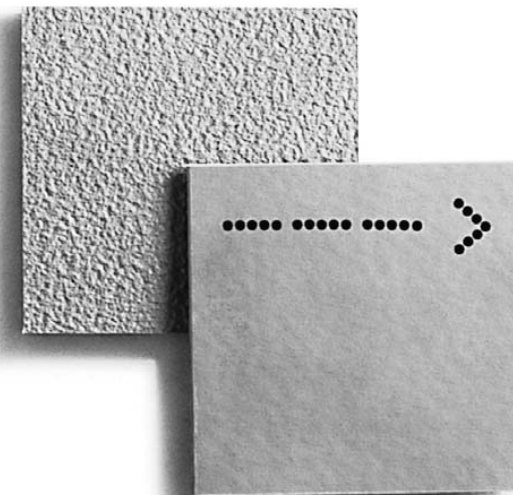
Dry Fitting Sheets

1. Outline the area to be covered with a chalk line or masking tape. If installation is a wainscoting, be sure the sight line at the top edge is level. If installation is a full wall, make sure the vertical edge is plumb.
2. For uniform appearance, install all sheets with the texture running in the same direction. The arrow on the back of each sheet indicates texture direction.
3. Gauges of **NELPLAS™** Protective Wallcovering greater than .028" (0.7mm) must have a 1/16" (1.6mm) expansion gap between sheets. Butt seams are permissible only with .028" (0.7mm) gauge wallcovering and in temperature controlled environments with a maximum temperature fluctuation of +10°F (5.6°C).

4. Do not butt **NELPLAS** Protective Wallcovering up against door jambs, ceilings, or baseboards. Leave a 1/16" (1.6mm) expansion clearance.
5. See "Joint Edge Molding Installation" (pg.14) for recommendations on installing division bars, inside and outside corner moldings, and J-Molding.
6. On interior surfaces of perimeter walls, and any area subject to temperature variations, an expansion clearance of 1/8" (3.2mm) minimum must be allowed on all four sheet sides to permit natural dimensional change.
7. Drill oversized holes when installing fixtures such as handrails, air ducts, etc. These items can inhibit the natural expansion and contraction of the sheet as temperature changes occur. Molding such as the #82 J-Molding can be used to minimize the visual effect of larger openings.

NELPLAS™

For uniform appearance, install all sheets with texture running the same direction. The arrow on the back of each sheet indicates texture direction. Textured embossed side is finished or exposed side. Textured side is not adhesive side.



Applying Contact Adhesives

1. Be certain that substrate is painted or sealed using latex primer before applying contact adhesive. Newly sealed walls should be completely dry prior to application of contact adhesive.
2. Follow adhesive manufacturer's recommended safety precautions, such as providing adequate ventilation.
3. Stir adhesive thoroughly before application.
4. Using a short nap roller, apply two coats of contact adhesive to the wall. Allow the first coat to dry thoroughly before applying the second coat. Cut-in the corners using a trim brush.
5. Again, using short nap roller, apply one coat of contact adhesive to back side of sheet (back side of sheet is not textured side).
6. Avoid excess rolling or rerolling as this causes unevenness in the adhesive film.
7. Avoid puddles.
8. Under recommended temperature and humidity conditions, contact adhesive should be dry in approximately 30 minutes. **NELPLAS™** recommends that a minimum of 45 minutes be allowed before installing sheet. THE LONGER YOU WAIT THE STRONGER THE INITIAL BOND WILL BE. You will notice a darkening of color when the adhesive becomes dry. Do not install until all wet spots have disappeared. If sheet is not installed within three hours, panel and wall must be recoated with adhesive prior to installation.

9. The positive test for enough adhesive is a glossy film when completely dry. Dull spots after drying indicate insufficient adhesive; these spots must receive another coat.
10. Contact adhesive bonds immediately upon contact. Utilization of slip sheets is highly recommended to prevent accidental bonding. For ease of handling, thin gauges of **NELPLAS** Protective Wallcovering can be rolled up after adhesive has dried. Contact adhesive will bond only to itself.



Installing Sheet

1. Align edges of **NELPLAS** Protective Wallcovering with chalk line or tape, then carefully remove slip sheet. Smooth **NELPLAS** Protective Wallcovering into place using stiff paperhanger brush.
2. Roll the entire surface with a heavy-duty pressure roller (i.e. Crain #333 extension roller or equivalent). It is imperative that installer applies heavy pressure while rolling. Start from the center of sheet and work out, being cautious to prevent an air pocket from forming under the sheet. Pay particular attention to all edges of sheet.

Installation Clean-Up

1. Any adhesive residue should be removed immediately while **NELPLAS** Protective Wallcovering is being installed.
2. DO NOT allow adhesive to dry on surface of **NELPLAS** Protective Wallcovering or on tools.
3. Remove adhesive and lay-out marks using a solvent such as mineral spirits or naphtha, or the adhesive manufacturer's recommended solvent.
4. Use clean rags to avoid redepositing adhesive residue in the wallcovering pattern.
5. Rinse cleaned area thoroughly with water.

Installation Of Accessories

Joint Edge Molding Installation

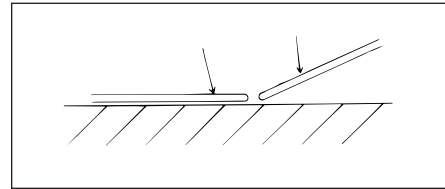
Moldings should be cut using common power saws with standard blades designed for cutting plywood, or carbide tipped blades. When planning job and cutting molding, leave allowances for intersecting moldings (i.e. where a Division Bar meets J-Molding).

With mastic adhesives:

It is not necessary to apply adhesive to back side of moldings. The mastic adhesive troweled onto the wall will be sufficient.

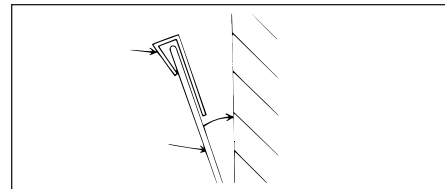
With contact adhesives:

Using small trim brush, apply one coat of contact adhesive to backside of molding and allow to dry according to instructions on page 13 under "Applying Contact Adhesives." Use caution to prevent adhesive from contacting visible surface of molding.



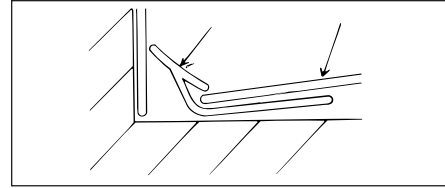
Butt Joint - No Molding

Can only be accomplished with contact adhesives using .028" (0.7mm) gauge in temperature controlled environments with maximum temperature fluctuation of 10°F (5.6°C). Thicker gauges of **NELPLAS**™ Protective Wallcovering or installations with mastic adhesive require a 1/16" (1.6mm) expansion gap between sheets.



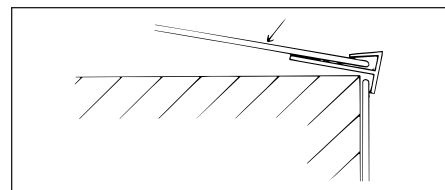
#82 J-Molding

Install J-molding by slipping over edge of **NELPLAS** Protective Wallcovering prior to high pressure rolling. The J-Molding actually is "trapped" between the **NELPLAS** and the substrate. After J-Molding has been installed, be sure to use a high-pressure roller (i.e. Crain #333 extension roller or equivalent) to roll all surfaces and edges of Wallcovering.



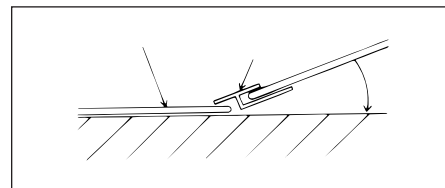
#83 Inside Corner

Install first sheet on wall according to above directions, leaving a 1/16" (1.6mm) gap at interior corner. Slip channel of inside corner onto one side of sheet to be installed on intersecting wall. Install this sheet with corner molding overlapping previously installed sheet. Be sure to leave a 1/16" (1.6mm) gap within molding to allow for expansion.



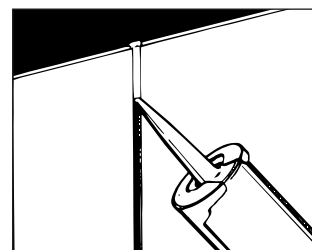
#85 Outside Corner

Install first sheet on wall according to above directions. Slip channel of outside corner onto one side of sheet to be installed on intersecting wall. Install this sheet with corner molding overlapping previously installed sheet. Be sure to leave a 1/16" (1.6mm) gap within molding to allow for expansion.



#87 & #88 Division Bar

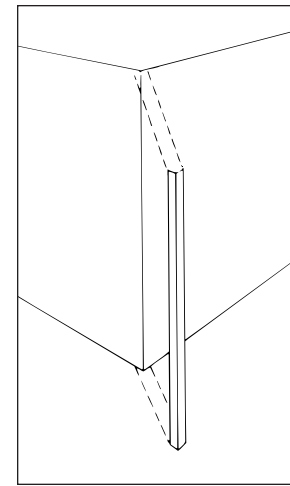
Install first sheet onto wall according to above directions. Slip channel of division bar onto one side of next sheet to be installed. Install the second sheet next to first sheet with free leg of division bar overlapping previously installed sheet. Install successive sheets in similar manner. Be sure to leave a 1/16" (1.6mm) expansion gap within molding to allow for expansion.



Color Matched Caulk

Color matched caulk is used in conjunction with, or as an alternative to, color matched moldings. Tooling is recommended to ensure positive contact with joint surfaces. Use soapy water to remove unwanted caulk from **NELPLAS** surfaces and tools. Color matched caulk is available through all **NELPLAS** distribution channels.

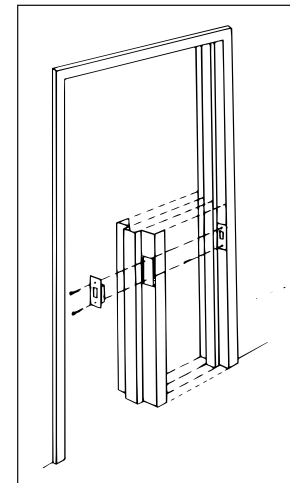
Corner Guards



1. Use 3M's Fastbond 30-NF Contact Adhesive (water-based) or DAP's Weldwood Original Contact Cement (solvent-based) only. Allow the water-based adhesive to dry a minimum of 2 hours before adhering to a non-porous surface such as metal.*
2. Installation temperature must be maintained at 65°F-85°F (18°C-29°C) throughout installation.
3. Wipe back of **NELPLAS**™ Thermoformed Corner Guard to remove any dust or dirt.
4. Outline area to be covered with masking tape. This will ensure a neat installation and a true bond line for the edges of the **NELPLAS** Thermoformed Corner Guard.
5. Follow adhesive manufacturer's recommended safety precautions, such as providing adequate ventilation.
6. Stir adhesive thoroughly before application.
7. Using small trim brush, apply one coat of contact adhesive to wall surface within masking tape, making sure to get full coverage.

8. Apply one coat adhesive to back of **NELPLAS** Thermoformed Corner Guard.
9. Allow to dry according to adhesive manufacturer's recommendations.
10. Use caution to prevent any adhesive from contacting textured surface of **NELPLAS** Thermoformed Corner Guard or any existing wallcovering.
11. Contact adhesive bonds immediately upon contact. Utilization of slip sheets is highly recommended to prevent accidental bonding. Contact adhesive will bond only to itself.
12. Align **NELPLAS** Thermoformed Corner Guard within masking tape outline and press into place.
13. Roll entire **NELPLAS** Thermoformed Corner Guard with a high-pressure roller.
14. Remove masking tape and remove any excess adhesive immediately.

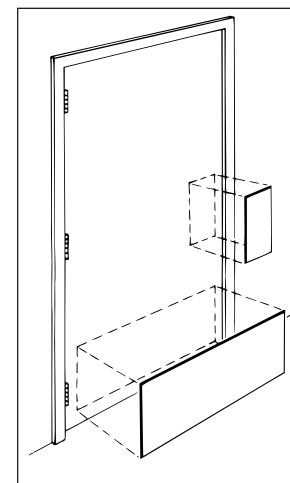
Doorframe Protectors



1. Use 3M's Fastbond 30-NF Contact Adhesive (water-based) or DAP's Weldwood Original Contact Cement (solvent-based) only. Allow the water-based adhesive to dry a minimum of two hours before adhering to a non-porous surface such as metal.*
2. Installation temperature must be maintained at 65°F-85°F (18°C-29°C) throughout installation.
3. Wipe back of **NELPLAS** Doorframe Protector to remove any dust or dirt.
4. Outline area to be covered with masking tape. This will ensure a neat installation and a true bond line for the edges of the **NELPLAS** Doorframe Protector.
5. Follow adhesive manufacturer's recommended safety precautions, such as providing adequate ventilation.
6. Stir adhesive thoroughly before application.
7. Using small trim brush, apply one coat of contact adhesive to doorframe within masking tape, making sure to get full coverage.

8. Apply one coat of contact adhesive to back of **NELPLAS** Doorframe Protector.
9. Allow to dry according to adhesive manufacturer's recommendations.
10. Use caution to prevent any adhesive from contacting textured surface of **NELPLAS** Doorframe Protector.
11. Contact adhesive bonds immediately upon contact. Utilization of slip sheets is highly recommended to prevent accidental bonding. Contact adhesive will bond only to itself.
12. Align **NELPLAS** Doorframe Protector within masking tape outline and press into place.
13. Roll entire **NELPLAS** Doorframe Protector with a high-pressure roller.
14. Remove masking tape and remove any excess adhesive immediately.

Kickplates and Pushplates



1. Use 3M's Fastbond 30-NF Contact Adhesive (water-based) or DAP's Weldwood Original Contact Cement (solvent-based) only. Allow the water-based adhesive to dry a minimum of two hours before adhering to a non-porous surface such as metal.*
2. Installation temperature must be maintained at 65°F-85°F (18°C-29°C) throughout installation.
3. Wipe back of **NELPLAS** Kickplate/ Pushplate to remove any dust or dirt.
4. Outline area to be covered with masking tape. This will ensure a neat installation and a true bond line for the edges of the **NELPLAS** Kickplate/ Pushplate.
5. Follow adhesive manufacturer's recommended safety precautions, such as providing adequate ventilation.
6. Stir adhesive thoroughly before application.
7. Using brush or roller, apply one coat of contact adhesive to door surfacing within masking tape, making sure to get full coverage.
8. Apply one coat of contact adhesive to back of **NELPLAS** Kickplate/ Pushplate.

9. Allow to dry according to adhesive manufacturer's recommendations.
10. Use caution to prevent any adhesive from contacting textured surface of **NELPLAS** Kickplate/ Pushplate.
11. Contact adhesive bonds immediately upon contact. Utilization of slip sheets is highly recommended to prevent accidental bonding. Contact adhesive will bond only to itself.
12. Align **NELPLAS** Kickplate/ Pushplate within masking tape outline and press into place.
13. Roll entire **NELPLAS** Kickplate/ Pushplate with a high-pressure roller.
14. Remove masking tape and remove an excess adhesive immediately.

* The variability of door and wall surfaces and paints applied to door frames should be considered prior to installation of **NELPLAS** Corner Guards, Doorframe Protectors, Kickplates, and Pushplates. Compatibility of adhesives with various surfaces and paints should be tested prior to installation on a commercial scale. Please contact your local **NELPLAS** distributor or call 800-628-0449 for assistance.