

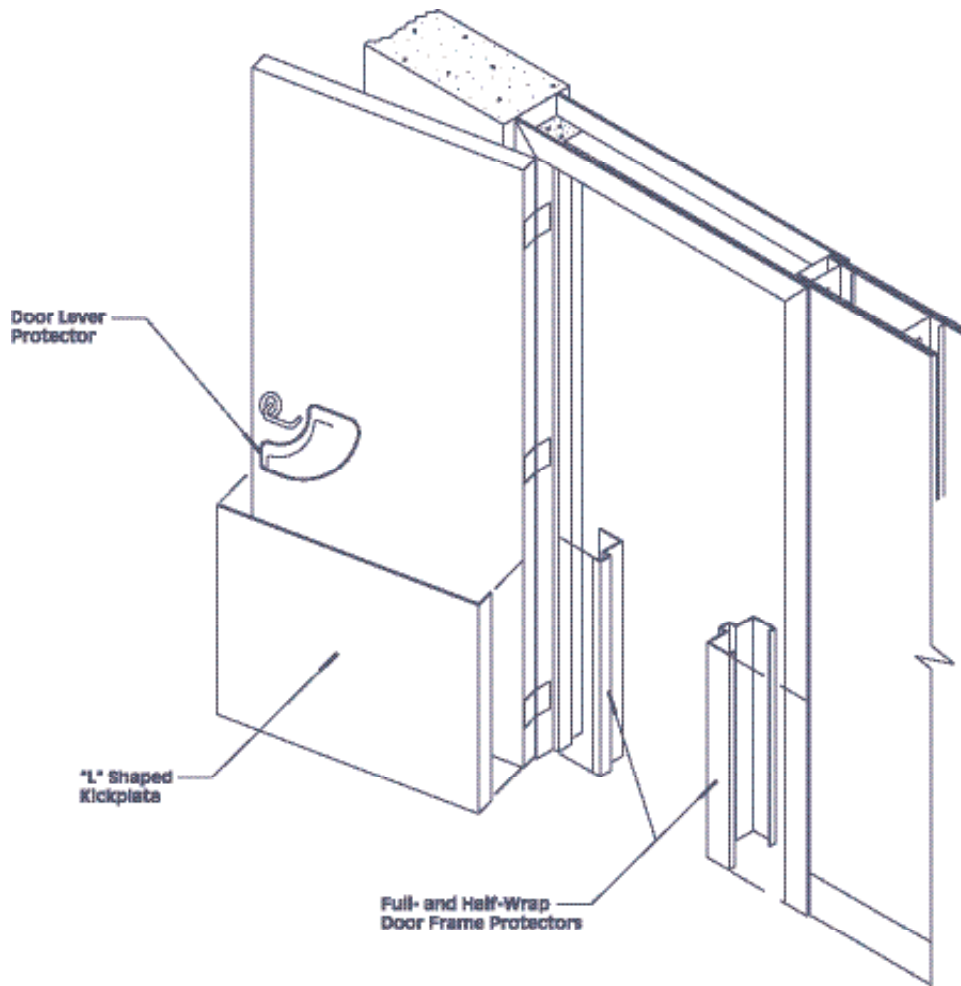
# Nelplas Wall Protection Systems

## Nelplas® Door Protection (Door Edge Protectors, Door Knob/Lever Protection, Kickplates, and Pushplates)

### Installation Instructions

---

1. **NELPLAS** Door Protection must be stored at a constant temperature of 65°F for a minimum of 48 hours before and during installation. Remove dust, dirt, grease, oil, and loose paint from door surface.
2. Place Door Protection in position and close door to check for proper clearance. Door may require some additional sanding or planing for proper fit.
3. **Screws:** For installations using screws, position Door Protection on the door. Secure Door Protection to door using self-tapping screws.  
**NOTE: NELPLAS Door Knob/Lever Protectors install only with screws.**
4. **Contact Cement:** For installations using contact cement (type as recommended by **NELPLAS**), apply cement to both the door surface and matting surface of protector. Once contact cement is thoroughly dry, properly position Door Protector on the door, then apply heavy pressure to Door Edge Protector with high-pressure roller.
5. If there are any questions, please call your local **NELPLAS** representative.



**NELPLAS**®  
Wall Protection Systems

800-628-0449 • [www.nelplas.com](http://www.nelplas.com) • Division 10 26 00