

# Koroseal Wall Protection Systems

## 170/270/270-135 Recess-Mounted Corner Guard

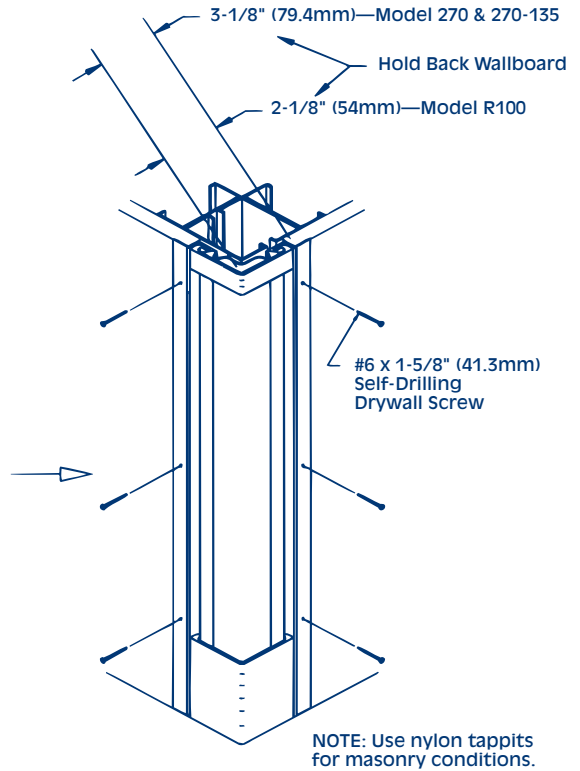
### Installation Instructions

1. Cut retainer (with base attached) to full height. Install optional top cap clinching in place at top of retainer. Attach continuous retainer unit to corner using appropriate fasteners at 18" (457.2mm) O.C. maximum.



2. Finish walls to specification, taping and spackling over retainer flanges. Install wallcovering or paint as specified.

3. Snap precut **NELPLAS**® cover in position. Cover should be lipped over one edge and pressure applied toward opposite leg from center with a "snap action" movement. Procedure should begin at bottom and be repeated as necessary for full height of cover.



Finish wall surface to conceal flange & screws.

# NELPLAS<sup>®</sup>

## Wall Protection Systems

800-628-0449 • www.nelplas.com • Division 10 26 00

® is a registered trademark of RJF International Corporation.