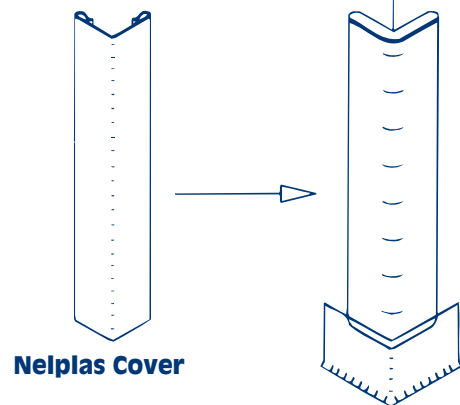
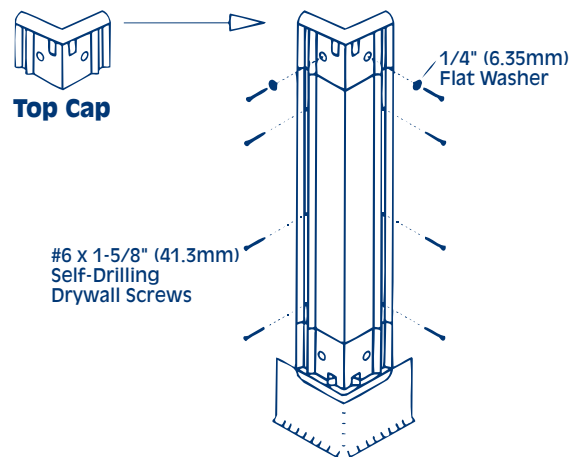
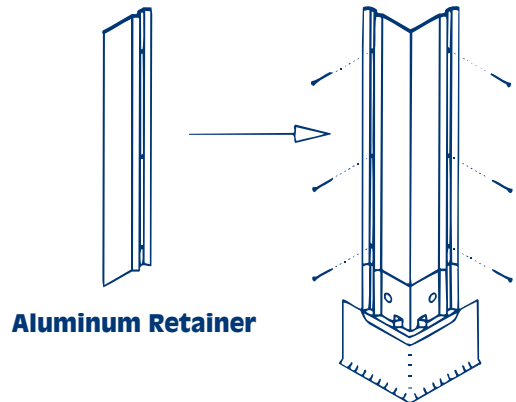
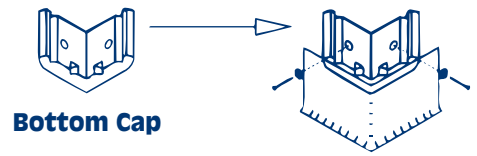
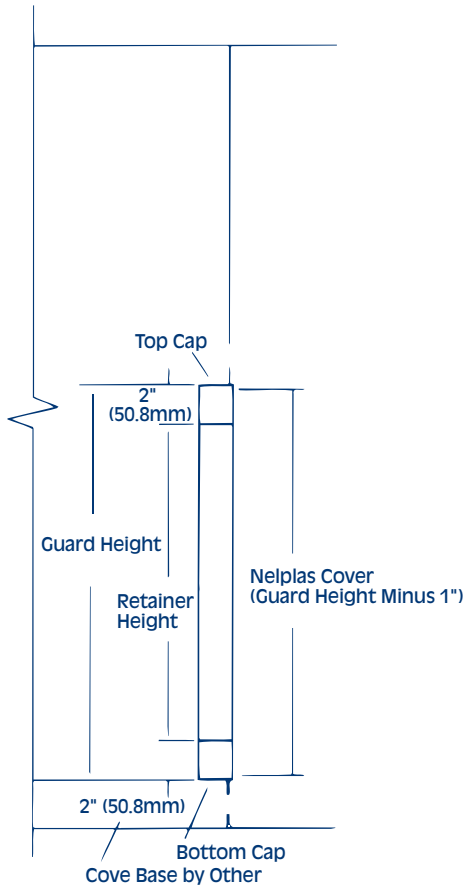


Nelplas Wall Protection Systems

ARN10 & ARN20 Surface-Mounted Corner Guard

Installation Instructions

1. Apply and secure a bottom cap beginning directly above cove base with appropriate fasteners.
2. Apply continuous retainer to wall directly above bottom cap with appropriate fasteners at 18" (457.2mm) O.C.
3. Install top cap directly above aluminum retainer with appropriate fasteners.



4. Snap precut **NELPLAS**® cover in position. Cover should be lipped over one edge and pressure applied toward opposite leg from center with a "snap action" movement. Procedure should begin at bottom and be repeated as necessary for full height of cover.

NELPLAS[®]

Wall Protection Systems

800-628-0449 • www.nelplas.com • Division 10 26 00